

MICROPHONE

19B801499P3 & P5

SPECIFICATION

STANDARD	METHODS/PROCEDURES	
	MIL-810-C	MIL-810-D
Humidity		Procedure 507.2
Temperature		Procedure 501.2/502.2/503.2
Vibration	Procedure 514.3, Curve W	
Weatherproof (Driven Rain)		Procedure 506.2
Corrosion		Procedure 509.2
Dust		Procedure 516.3

Weight:	220 grams (7-3/4 oz) without cord
Connector:	6 pin Delta style (P3) 9 pin D-connector subminiature (P5)
Impedance:	600 ohms
Frequency Response:	300-5000 Hz
Audio Output:	20-70 mV at 1000 Hz

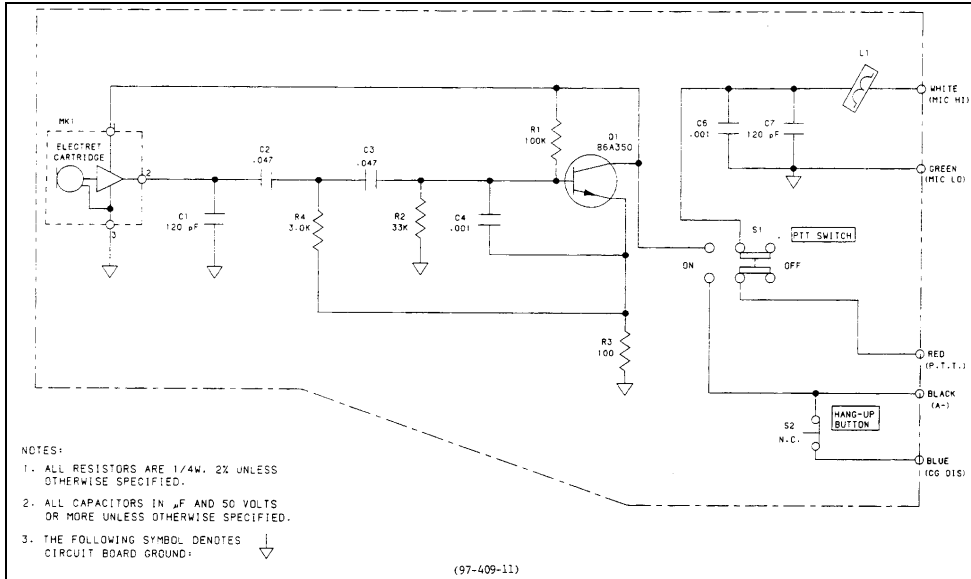


FIGURE 1 – SCHEMATIC DIAGRAM

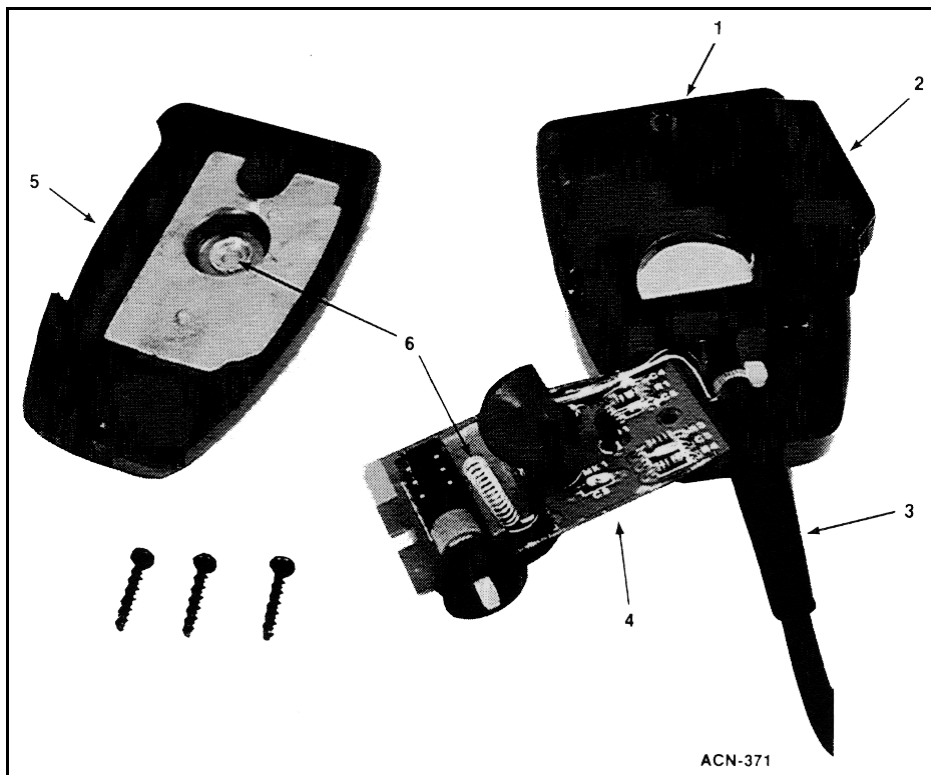


FIGURE 2 – DISASSEMBLED VIEW

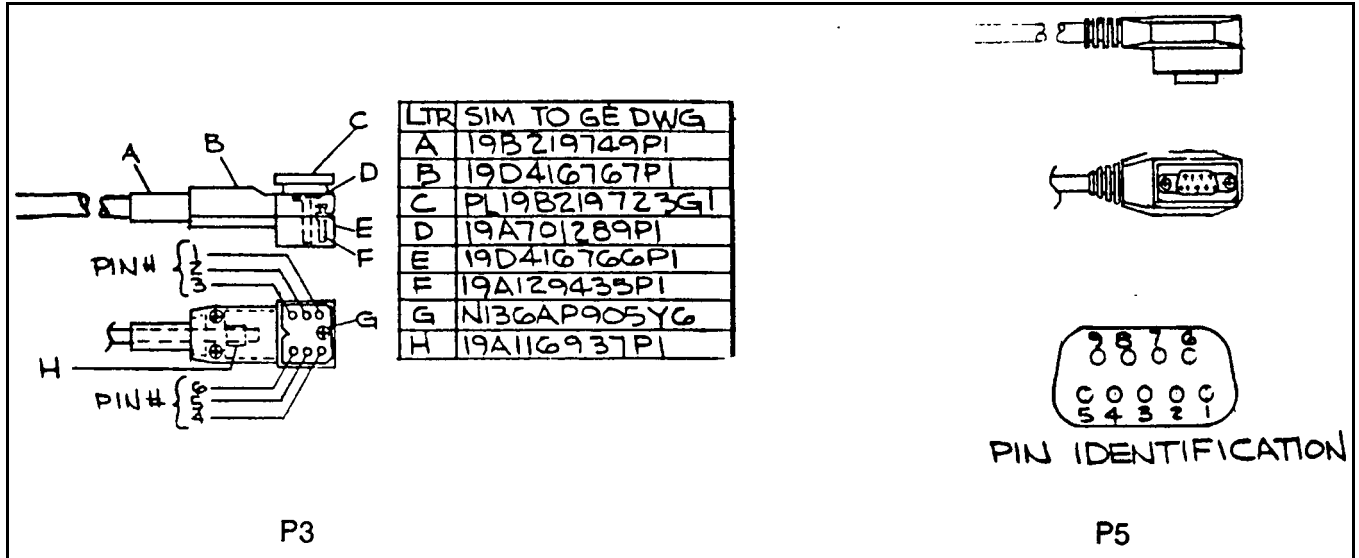


FIGURE 3 - CONNECTOR OUTLINE

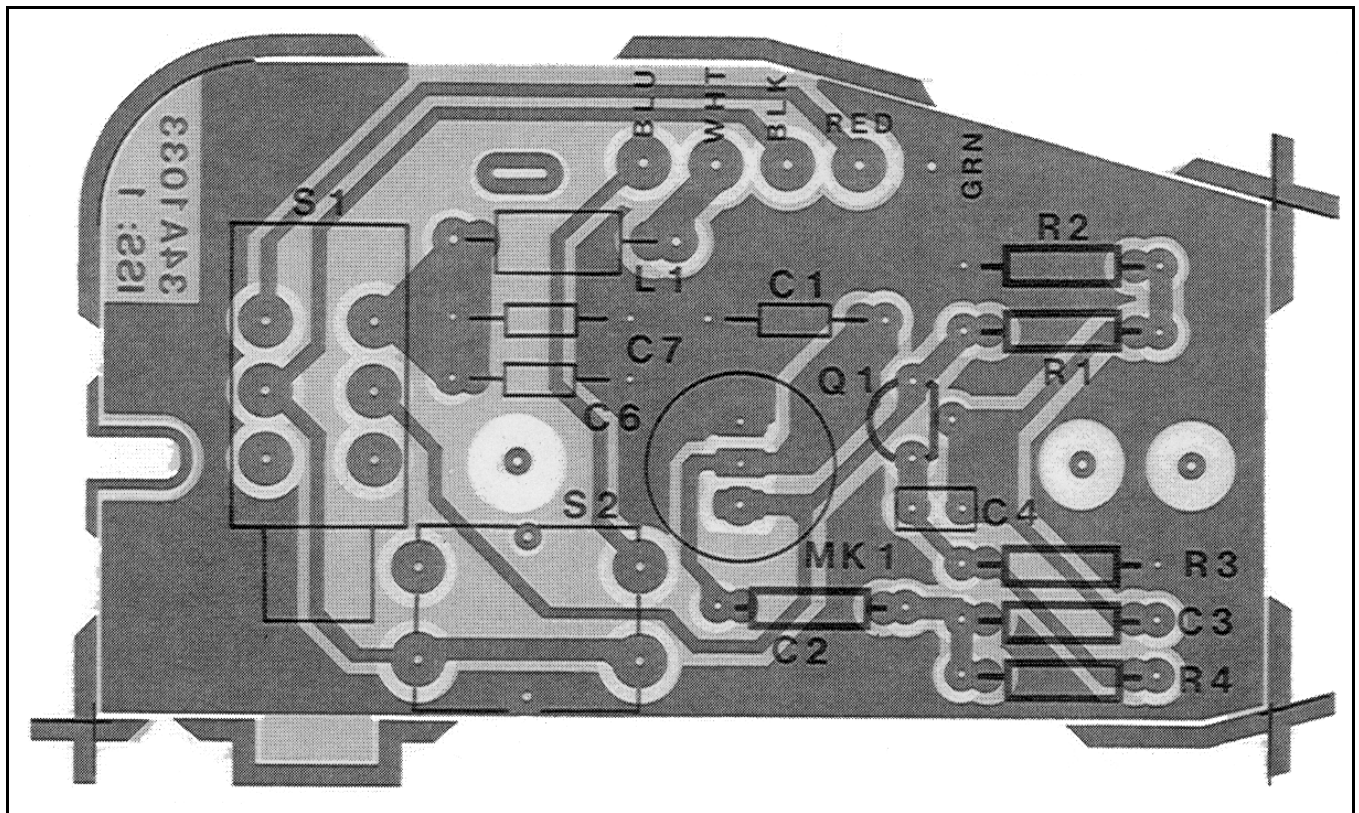


FIGURE 4 - PRINTED CIRCUIT BOARD ASSEMBLY

MICROPHONE
19B801499P3,P5
(Refer to Figure 2)

SYMBOL	PART NO.	DESCRIPTION
1	RP1004	Front Case Assembly.
2	RP1005	Switch Button.
3	19B801499P8	Cable assembly with MASTR II connector (P3 only).
	19B801499P10	Cable assembly with mini connector (P5 only).
4	RP1008	Printed Circuit Board Assembly with switch and microphone.
5	RP1010	Back Case Assembly. (P3 only).
	RP1017	Back Case Assembly. (P5 only).
		Screw, 1-inch Hi-Lo Phillips head, self-threading (Quantity 3).